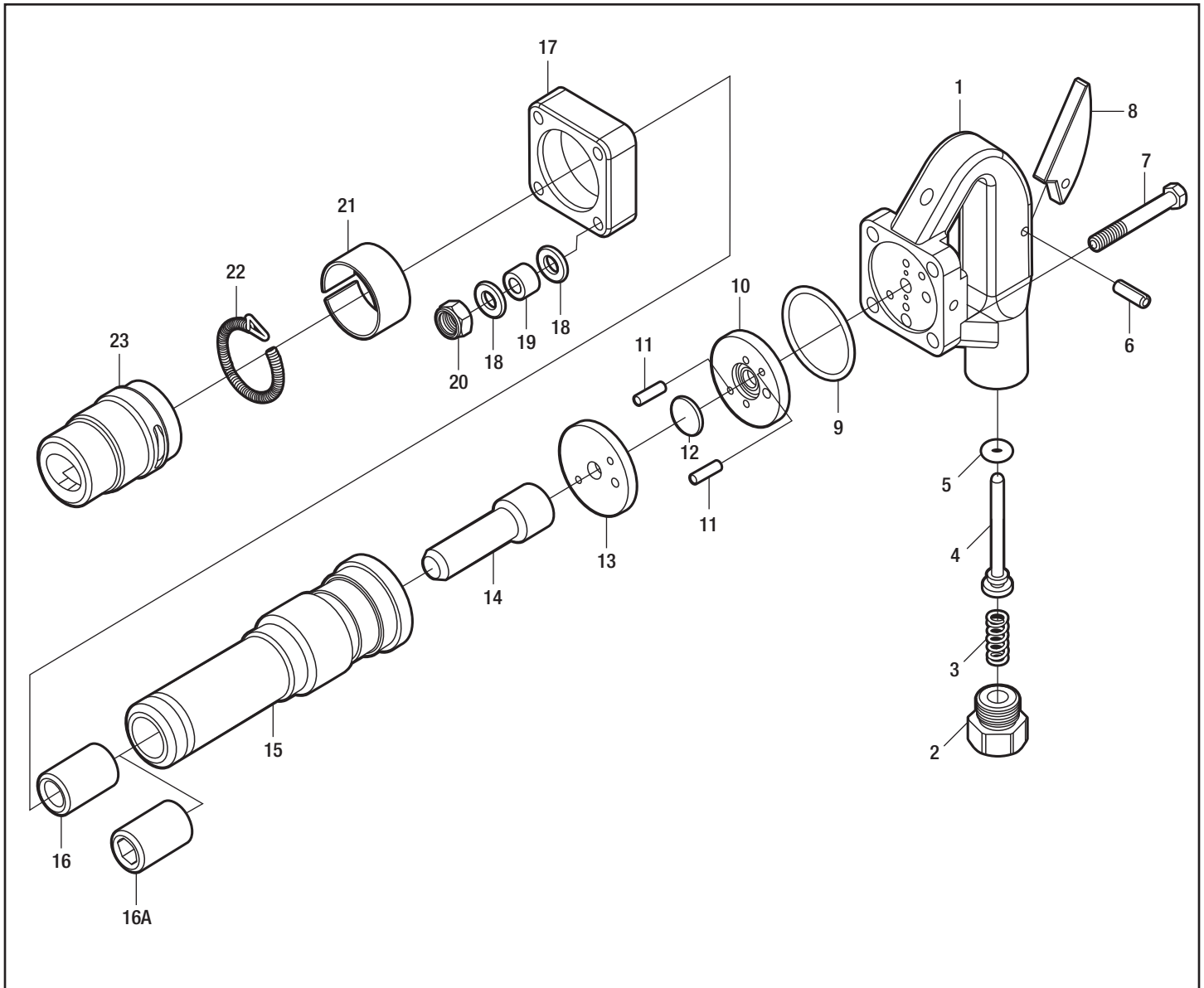


**CHP-4BM-H**

**CHP-4BM-R Four Bolt Chipping Hammer**



Index	Part No.	Description	Qty.
1	CHP4BM01	Handle	1
2	CHP4BM02	Hose Adapter	1
3	CHP4BM03	Spring	1
4	CHP4BM04	Throttle Valve	1
5	CHP4BM05	O-Ring	1
6	CHP4BM06	Spring Pin	1
7	CHP4BM07	Handle Bolt	4
8	CHP4BM08	Trigger	1
9	CHP4BM09	O-Ring	1
10	CHP4BM10	Lower Valve Case	1
11	CHP4BM11	Valve Dowel	2
12	CHP4BM12	Valve	1
13	CHP4BM13	Upper Valve Case Lid	1

Index	Part No.	Description	Qty.
14	CHP4BM14	Piston	1
15	CHP4BM15	Cylinder	1
16	CHP4BM16	Round Bushing	1
16A	CHP4BM16A	Hex Bushing	1
17	CHP4BM17	Flange-Cylinder	1
18	CHP4BM18	Handle Bolt Spacer	8
19	CHP4BM19	Bumper Washer	4
20	CHP4BM20	Handle Bolt Nut	4
21	CHP4BM21	Exhaust Deflector	1
22	CHP4BM22	Lock Spring	1
23	CHP4BM23	Oval Collar Retainer	1
SK	CHP4BMSK	Service Kit Ref. No. - 3, 5, 9, 22	